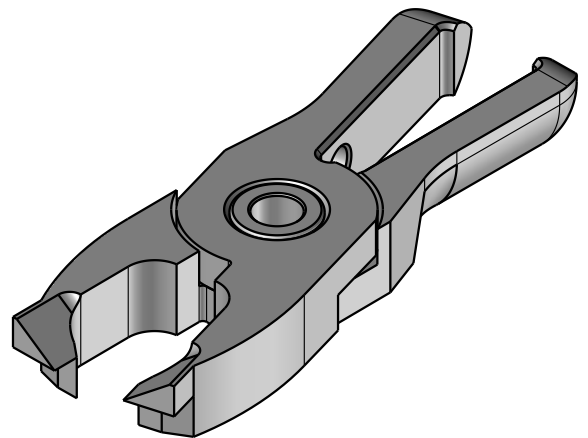
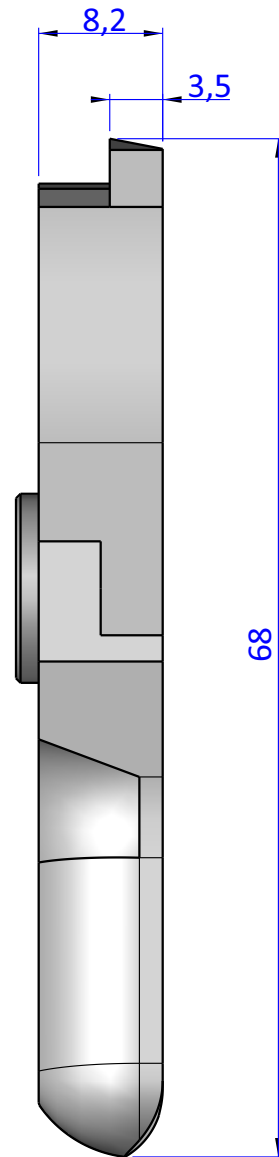
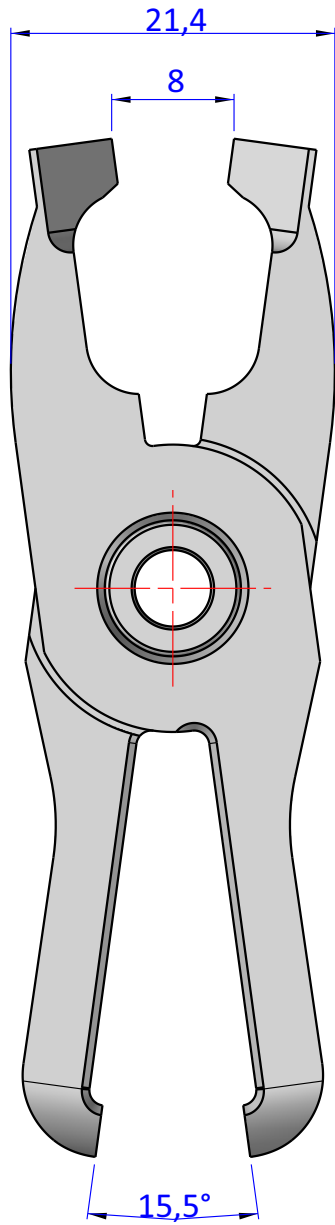


THE PROPERTY OF THE DRAWING IS ESTABLISHED BY LAW. IT IS FORBIDDEN TO PRODUCE OR SHOW IT TO THIRD PART, WITHOUT A WRITTEN AGREEMENT.



DESIGNED FROM FPS Automation	REVIEW A
--	--------------------

DATE 28/10/2020	WEIGHT 0,045kg
---------------------------	--------------------------

CODE VES.NY15AD

Format **A4**

UNI 936-76

GENERAL TOLERANCE

UNI - ISO 2768

CLASSE f

DESCRIPTION

VES.NY15AD